

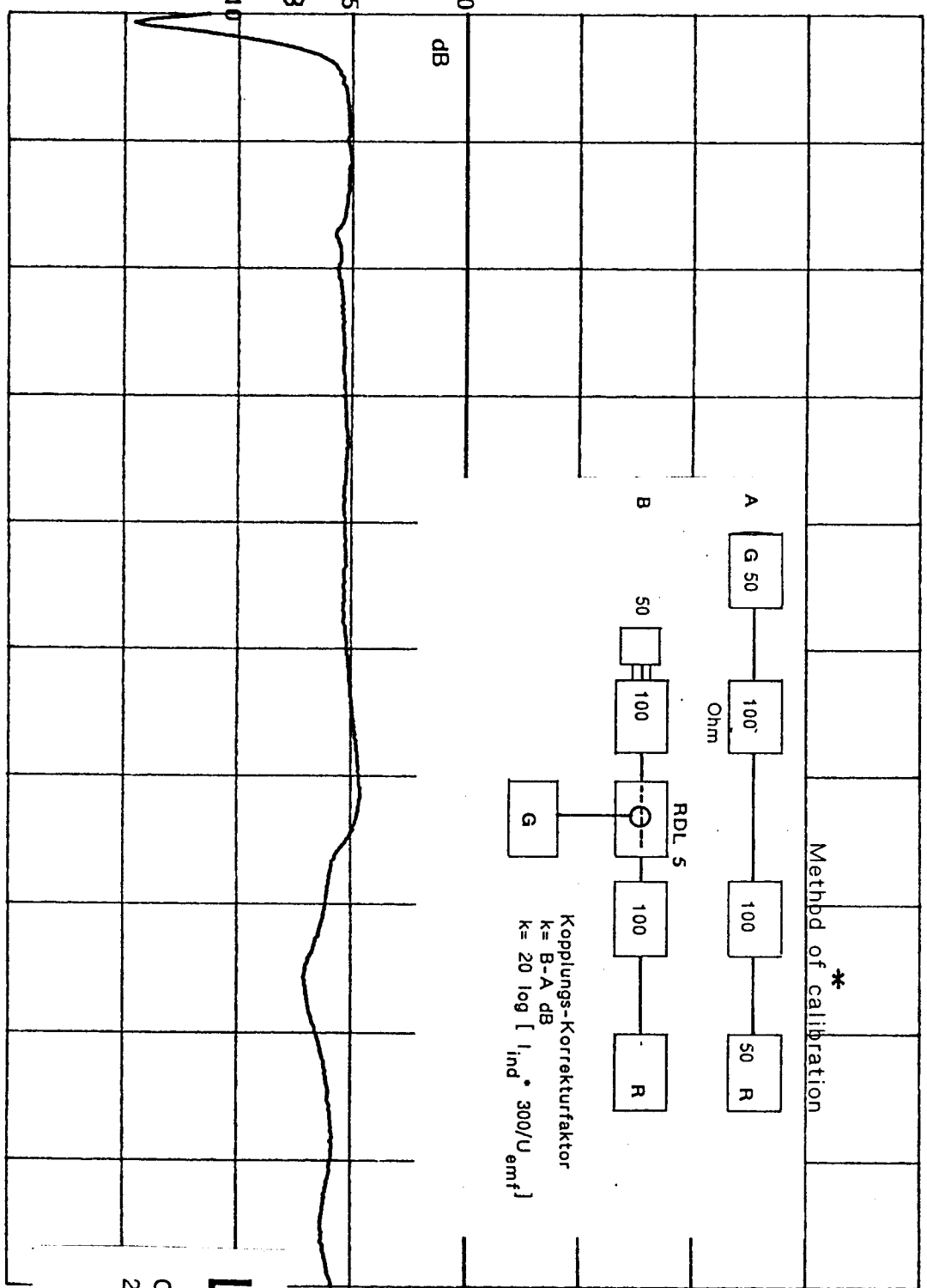
RDL 5 Coupling Clamp 20 to 400 MHz

hp RDL 5 Koppel-Korrekturfaktor k
 REF 100.0 dBµV ATTEN 10 dB

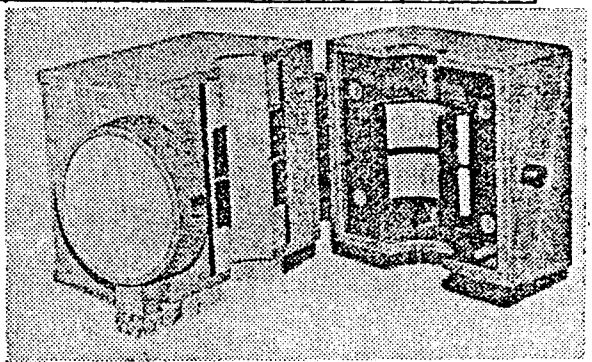
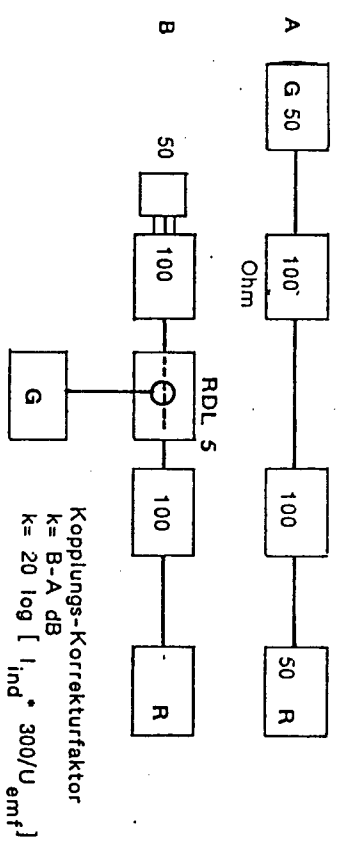
PEAK
 LOG
 5
 DB/

DL
 80.0
 DBµV

VA-VB
 FC
 CORR



START 5.000 MHz RES BW 3 MHz
 80 160 240 320 400 MHz
 VBW 1 MHz SWP 20 msec



COUPLING CLAMP RDL 5
 20 400 MHz
 5 Watt sinus
 5/50 ns Transients, bursts
 2 kV

